

Barudan

BEAT-UF

HIGH SPEED AUTOMATIC EMBROIDERY MACHINE

PARTS BOOK

V10011

BARUDAN CO., LTD.

ADDRESS 906 JOSUJI
ICHINOMIYA-CITY· AICHI-PREF·
JAPAN
TEL. <0586>76-1137
FAX. <0586>77-1499
TELEX 4573268 BARUNA J
CABLE BARUNA ICHINOMIYA

INDEX

Part No.	Page	Fig. No.	Part No.	Page	Fig. No.	Part No.	Page	Fig.No.
1124A	2	1	2219F	4	18	2342F	4	2
1125A	2	1	2221A	3	8	2343F	4	3
1126A	2	1	2222F	3	4	2344F	4	4
1127A	2	1	2223F	3	10	2345F	6	17
1161A	2	4	2223F	4	25	2346F	6	16
1162A	2	3	2224F	4	23	2347F	6	18
1163A	2	2	2225F	4	24	2348F	6	19
1164A	2	5	2227F	4	28	2349F	5	2
1165A	2	6	2228F	4	29	2351F	5	8
1166A	2	7	2229F	3	7	2352F	5	9
1167A	2	8	2231F	3	13	2353F	5	3
1168A	2	3	2244A	9	2	2354F	5	5
1216A	13	1	2245F	4	20	2355F	5	10
1216A	13	3	2245F	9	30	2358F	5	7
1217A	13	1	2246F	4	21	2361F	5	12
1217A	13	3	2247F	4	26	2363F	5	13
1218A	13	1	2248F	3	3	2364F	5	27
1218A	13	3	2251A	3	17	2365F	5	18
1219A	13	1	2255F	3	18	2391F	6	7
1219A	13	3	2301F	6	1	2392F	6	50
1282A	2	18	2302F	6	2	2393F	6	8
1283A	2	19	2303F	5	1	2397F	6	6
1284A	2	20	2311A	6	38	2406F	7	4
1285A	2	17	2312F	6	21	2407F	7	22
1431A	13	7	2313F	6	5	2411C	7	10
1432A	13	8	2318F	6	4	2416F	7	8
1438A	13	18	2321F	6	3	2417F	7	18
1462A	13	20	2323F	6	9	2422F	7	9
2111C	3	1	2324F	6	10	2425F	7	7
2121A	3	9	2325F	6	11	2431F	7	13
2211F	4	9	2231F	6	13	2432F	7	12
2212F	4	13	2332F	6	12	2433F	7	15
2213F	4	15	2333F	6	26	2436H	7	6
2214F	4	7	2334C	6	14	2471F	7	5
2215F	4	17	2335F	6	27	2475F	7	17
2216F	4	10	2336F	6	31	2477F	7	20
2218F	4	11	2341F	4	1	2481F	7	19

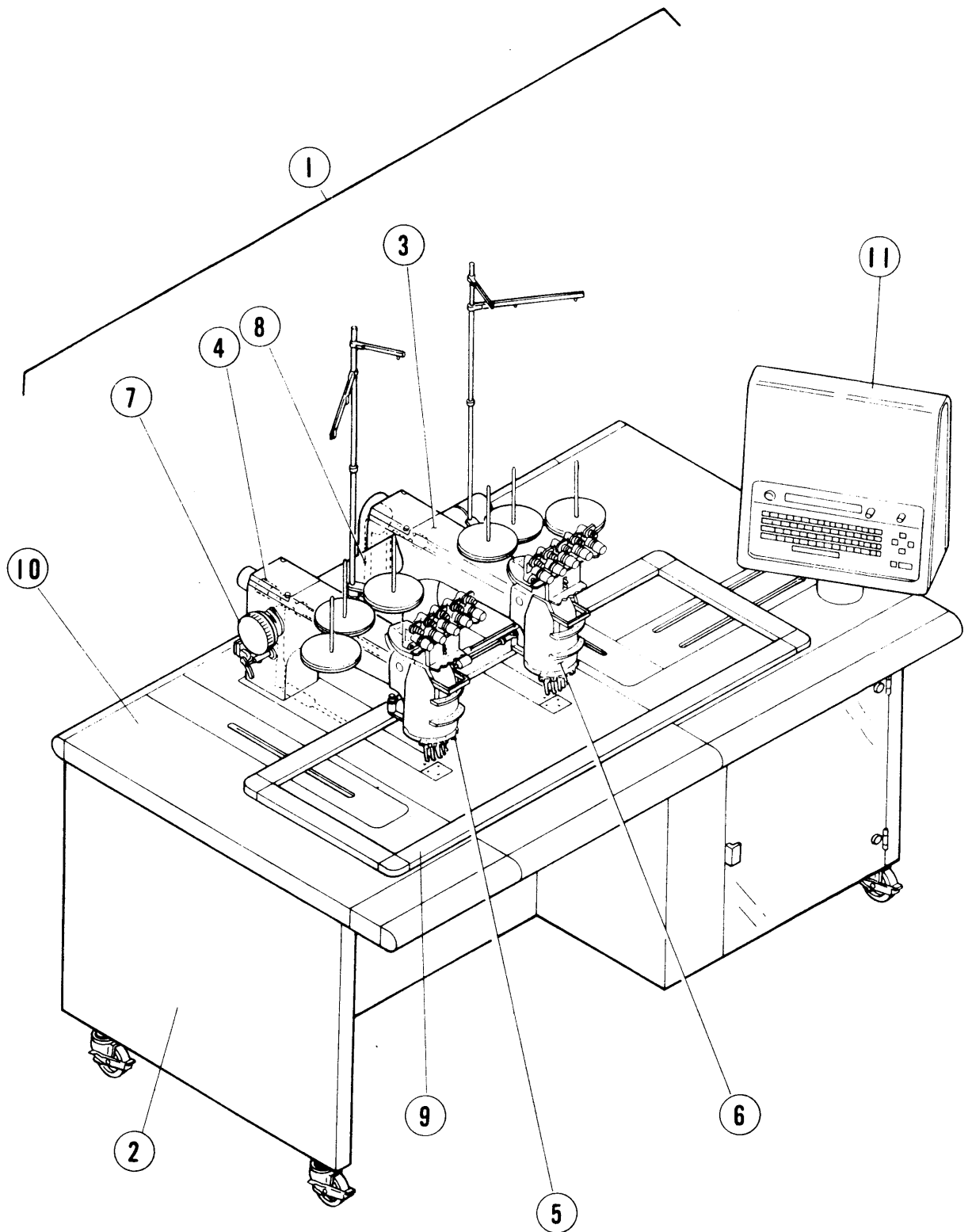
INDEX

Part No.	Page	Fig. No.	Part No.	Page	Fig. No.	Part No.	Page	Fig. No.
2491F	7	14	4509A	10	1	4821C	11	5
2491F	7	35	4510A	10	1	4822A	12	20
2492F	7	32	4511C	5	29	4823C	12	6
2493F	7	33	4520A	10	1	4825C	12	4
2501F	7	41	4559A	10	1	4826C	11	3
2511F	7	28	4592A	10	10	4826C	12	3
2512F	7	30	4711H	10	22	4827C	11	27
2513A	3	14	4712H	10	17	4827C	12	34
2516C	7	26	4714A	10	29	4831H	11	7
2521F	7	34	4715H	10	25	4831H	12	8
2522F	7	37	4717H	10	23	4833C	11	26
2523F	7	39	4717H	11	13	4833C	12	10
2524F	7	38	4718H	12	16	4835A	10	5
2525F	7	40	4735A	11	8	4836A	10	5
3113A	9	4	4736A	12	33	4838C	12	7
3121A	9	24	4752H	11	17	4841H	11	10
3122A	9	22	4752H	12	19	4841H	12	12
3123H	9	18	4754C	11	11	4844A	11	12
3125A	9	21	4754C	12	13	4844A	12	14
3131A	9	17	4765C	11	6	4849A	11	29
3182H	8	29	4767C	11	16	4849A	12	29
31B5A	9	30	4767C	12	18	4851A	10	4
31B6A	9	29	4779H	11	22	5110A	14	4
3215A	8	16	4779H	12	25	5118C	7	2
3218A	8	16	4781A	11	15	5120A	14	14
3219A	8	16	4782A	11	15	5121A	8	31
3225F	8	7	4783A	12	17	5124C	8	30
3226F	8	10	47E4A	11	15	5141A	7	1
3231C	8	1	47E5A	11	13	5191A	14	9
3251F	8	11	47E6A	11	15	5192C	8	26
3252F	8	15	4811A	11	24	5199A	8	2
3259A	8	6	4811A	11	33	5210A	14	1
3338F	6	35	4812A	12	20	5220A	14	21
3339F	5	25	4814A	10	11	5341A	6	46
3341A	5	23	4815A	10	12	5342A	6	43
3411A	9	10	4816A	10	13	5343A	6	45
3415A	9	8	4818A	10	13	5344A	6	42

INDEX

Part No.	Page	Fig. No.	Part No.	Page	Fig. No.	Part No.	Page	Fig. No.
5 3 4 6 A	5	3 0						
5 3 4 7 A	5	3 3						
7 1 0 1 A	7	2 3						
7 1 3 6 A	8	2 0						
7 1 3 7 A	8	2 4						
7 1 4 3 A	1 3	1 3						
7 1 4 5 A	1 3	1 0						
7 1 4 8 A	1 3	1 2						
7 1 4 9 A	1 3	1 6						
9 1 0 0 1	1 1	2 1						
9 1 0 0 1	1 2	2 4						
9 1 0 0 2	8	8						
9 1 0 0 3	9	2 0						
9 1 0 0 6	1 1	1						
9 1 0 0 6	1 2	1						
9 1 0 0 7	8	2 5						
9 1 0 1 1	6	2 2						
9 1 1 2 1	6	2 4						
9 1 1 2 2	6	2 5						
9 1 1 2 3	6	2 3						
9 1 2 0 3	6	3 2						
9 1 2 2 5	1 3	4						
9 1 2 3 2	1 3	9						
9 1 2 9 7	2	1 3'						
9 1 2 9 8	2	1 3						
9 2 0 1 1	9	1 5						
9 2 0 1 2	9	1 4						

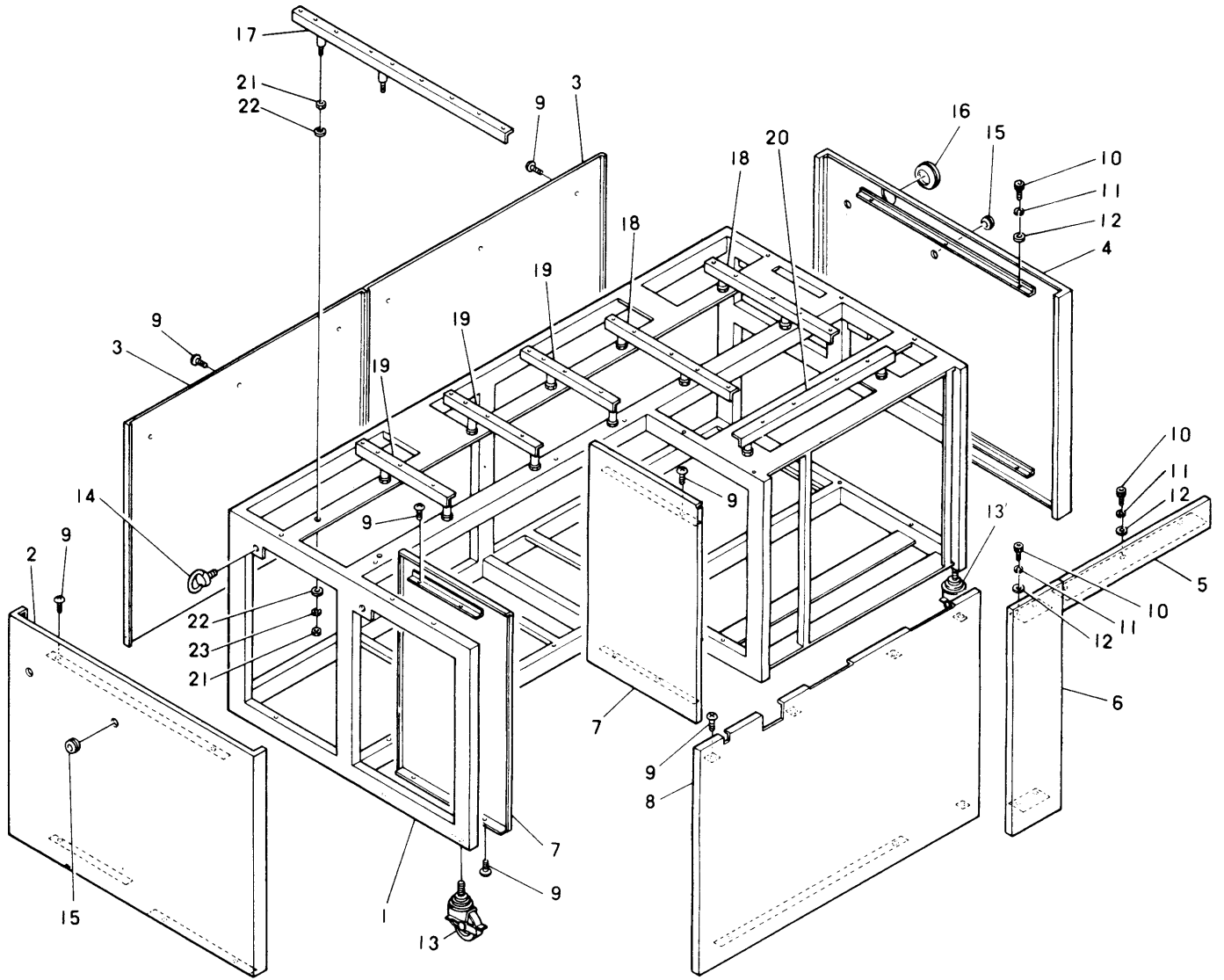
① MACHINE LAYOUT



BEAT-UP MACHINE LAYOUT

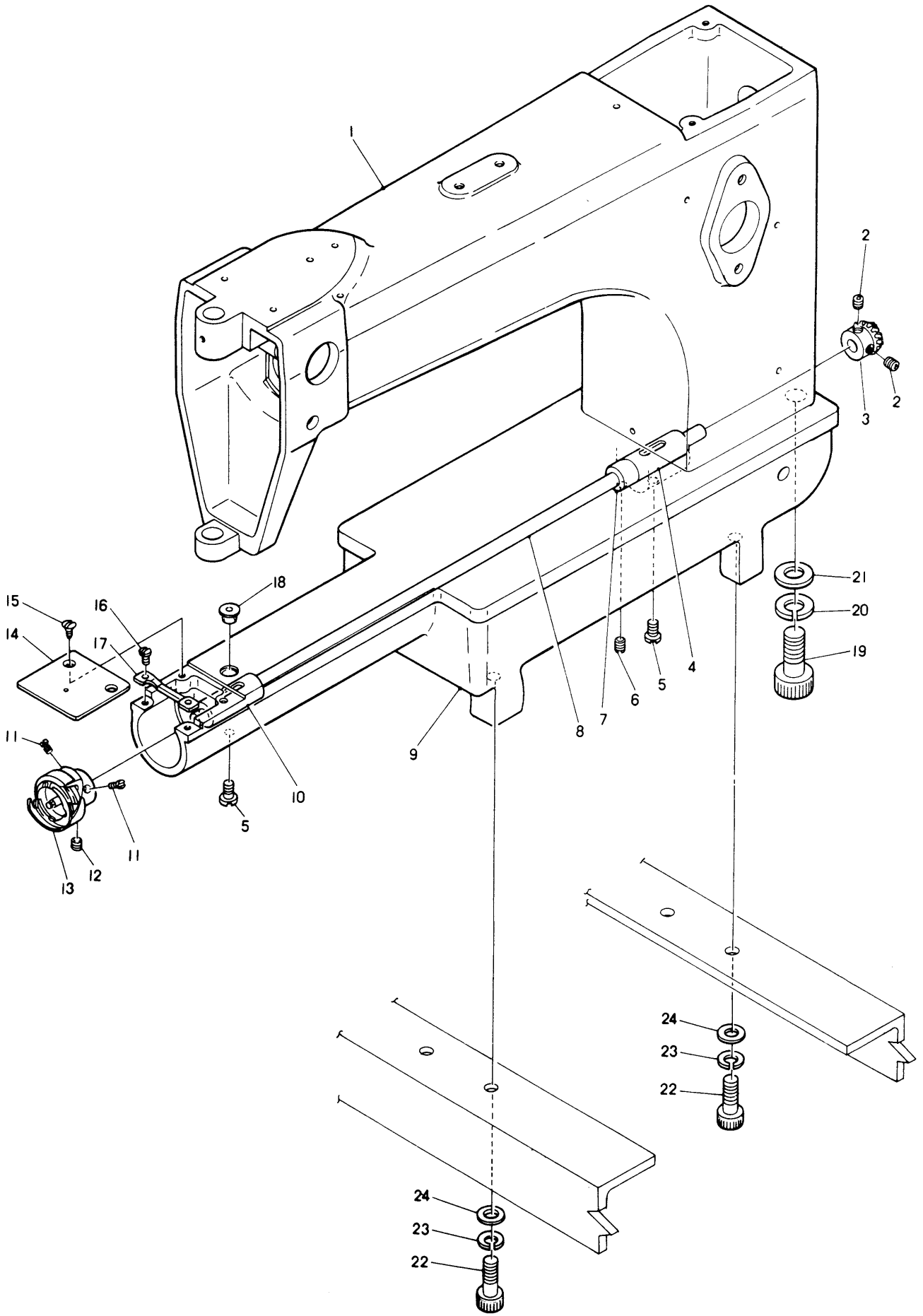
INDEX

ITEM No.	N A M E	PAGE No.
①	MACHINE LAYOUT.....	1
②	MACHINE STAND FRAME.....	2
③	SEWING HEAD BASE.....	3
④	TOP AND VERTICAL SHAFT OF SEWING HEAD.....	4
⑤	NEEDLE BAR/TAKE UP LEVER MECHANISM ①, ②.....	6
⑥	THREAD GUIDE MECHANISM.....	7
⑦	GANG SHAFT MECHANISM.....	8
⑧	DRIVE MECHANISM.....	9
⑨	PANTOGRAPH DRIVE MECHANISM ①.....	10
	② PANTOGRAPH DRIVE MECHANISM (H DIRECTION).....	11
	③ PANTOGRAPH DRIVE MECHANISM (V DIRECTION).....	12
⑩	TABLE AND TAPE HANDLER BOX.....	13
⑪	CONTROL SYSTEM.....	14



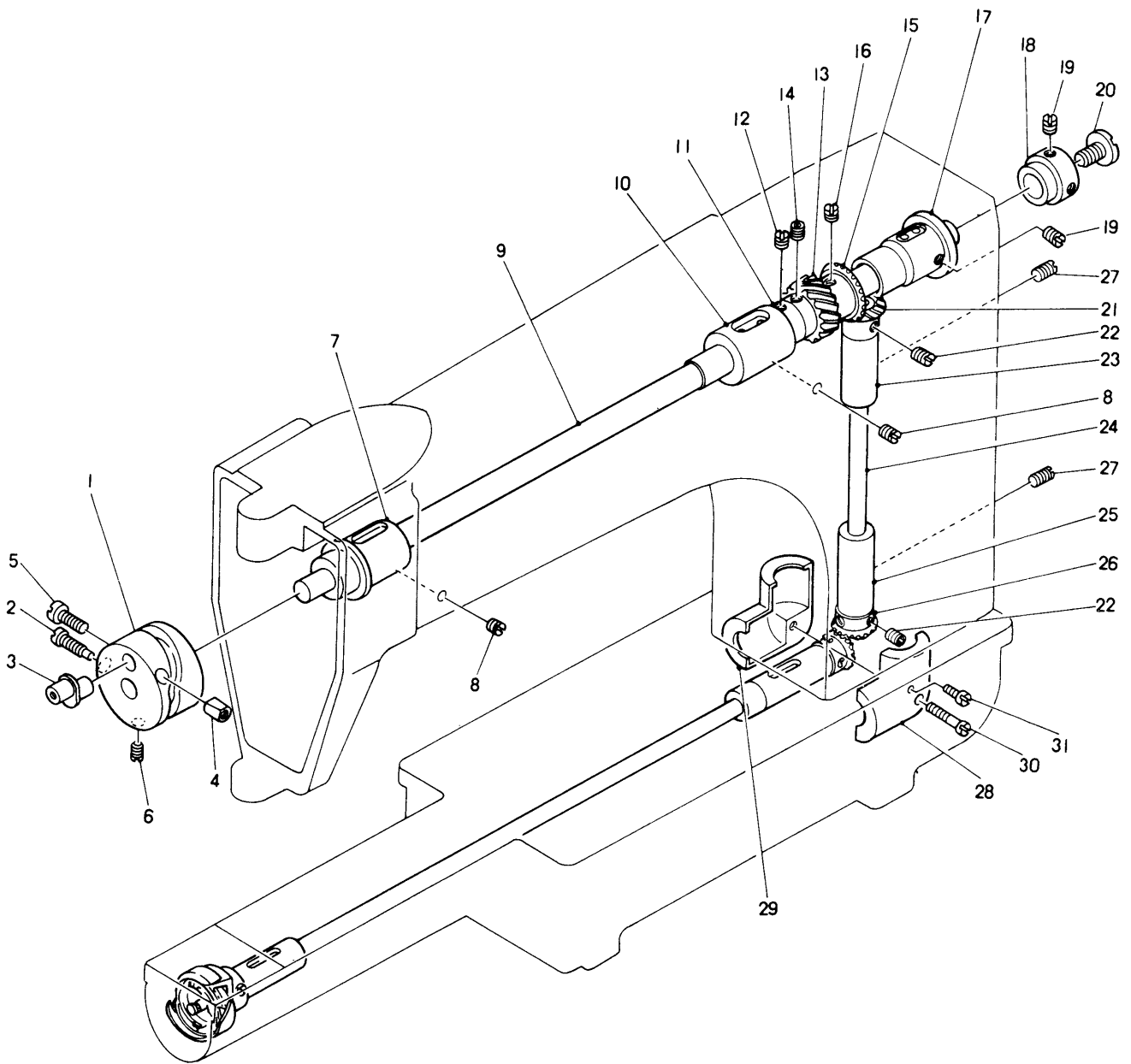
② MACHINE STAND FRAME

No.	Parts No.	Description
1	1124A	STAND FRAME ASSY (BEAT-102, 300×450)
	1125A	STAND FRAME ASSY (BEAT-102, 300×300)
	1126A	STAND FRAME ASSY (BEAT-101, 300×450)
	1127A	STAND FRAME ASSY (BEAT-101, 300×300)
2	1163A	STAND FRAME SIDE COVER NO.3
3	1162A	STAND FRAME SIDE COVER NO.2
	1168A	STAND FRAME SIDE COVER NO.8
4	1161A	STAND FRAME SIDE COVER NO.1
5	1164A	STAND FRAME SIDE COVER NO.4
6	1165A	STAND FRAME SIDE COVER NO.5
7	1166A	STAND FRAME SIDE COVER NO.6
8	1167A	STAND FRAME SIDE COVER NO.7
9		SCREW (M6×1)
10		BOLT (M6×1)
11		SPRING WASHER
12		PLATE WASHER
13	91298	CASTER 415SARH75 (SMALL)
13'	91297	CASTER 415SARH100 (LARGE)
14		BOLT (M16)
15		PLUG HOLE (φ30)
16		PLUG HOLE (φ42)
17	1285A	TABLE BASE (650L)
18	1282A	TABLE BASE (405L)
19	1283A	TABLE BASE (315L)
20	1284A	TABLE BASE (505L)
21		NUT (W3/8)
22		PLATE WASHER
23		SPRING WASHER



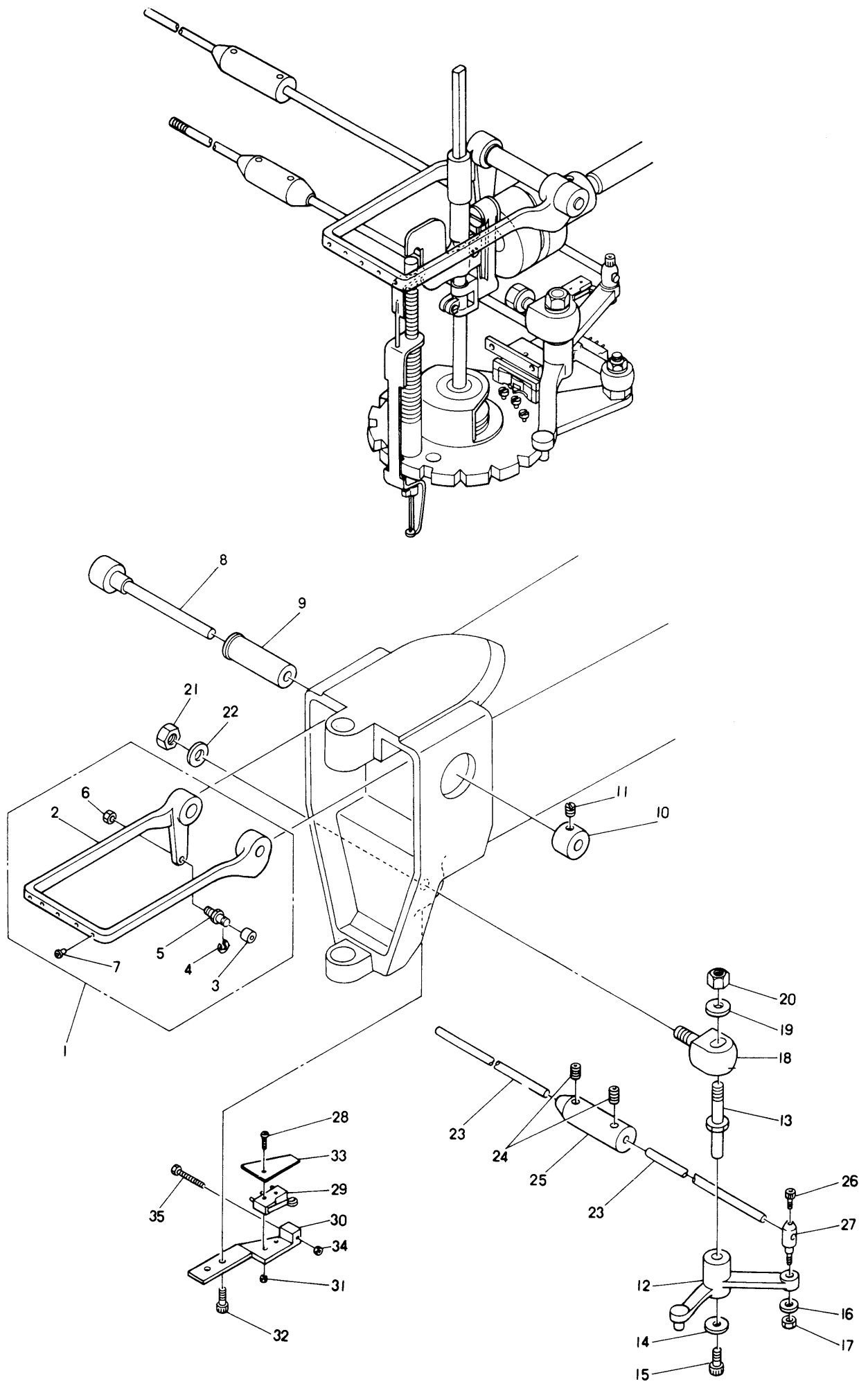
③ SEWING HEAD BASE

No.	Parts No.	Description
1	2111C	SEWING HEAD
2		GRUB SCREW (SM1/4 40)
3	2248F	BEVEL GEAR (HOOK SHAFT)
4	2222F	HOOK SHAFT BUSH (REAR)
5		SCREW (SM15/64 28)
6		GRUB SCREW (SM15/64 28)
7	2229F	COLLAR
8	2221A	HOOK SHAFT
9	2121A	SEWING HEAD BASE PLATE
10	2223F	BUSH (HOOK SHAFT)
11		SCREW
12		GRUB SCREW
13	2231F	SEWING HOOK AND BASE
14	2513A	NEEDLE PLATE
15		NEEDLE PLATE SCREW (SM11/64 40)
16		SCREW FOR HOOK BASE RETAINING FINGER
17	2251A	HOOK BASE RETAINING FINGER
18	2255F	DUST PROOF OILER
19		BOLT (M12×1.75)
20		SPRING WASHER
21		PLATE WASHER
22		BOLT (M8×1.25)
23		SPRING WASHER
24		PLATE WASHER



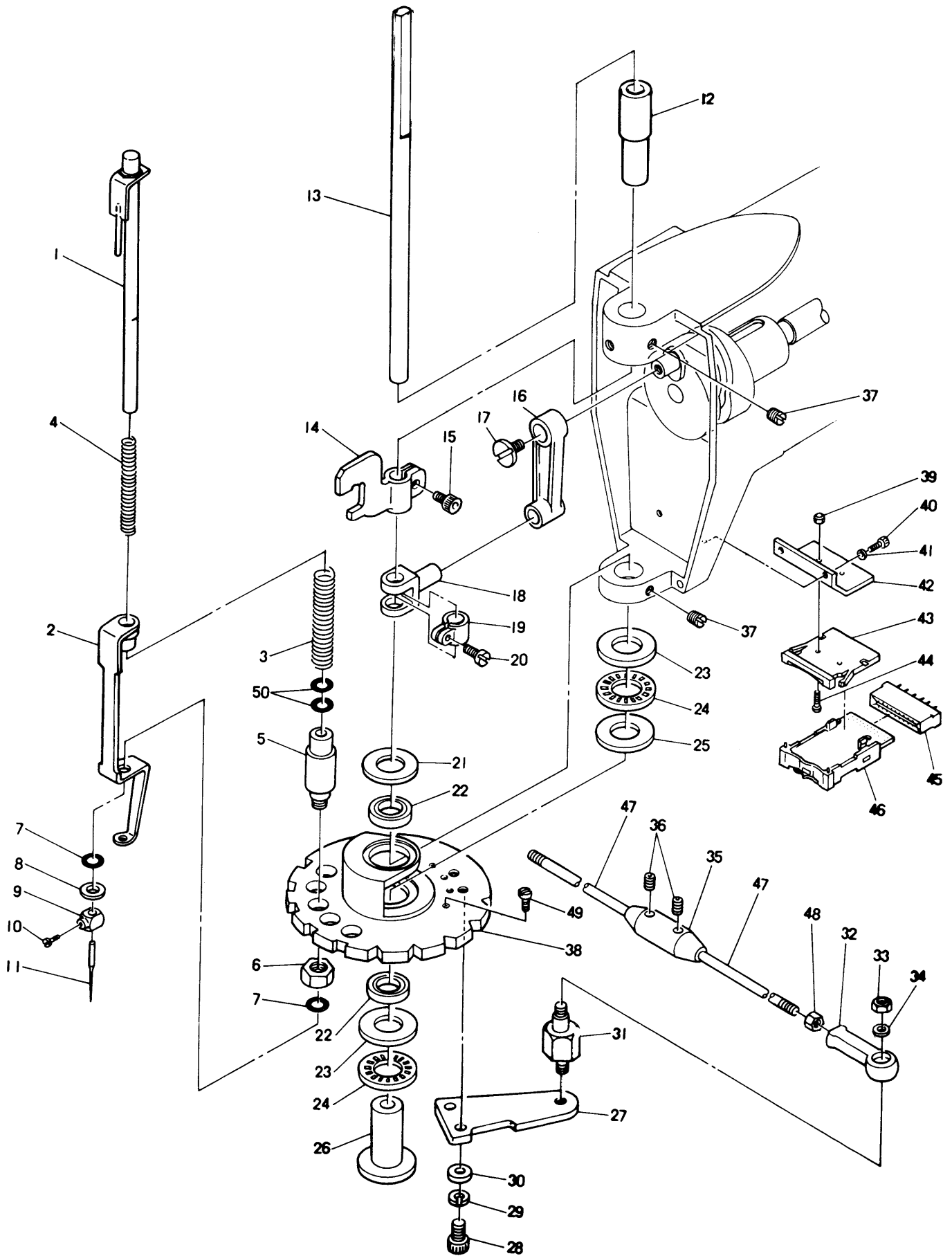
④ TOP AND VERTICAL SHAFT OF SEWING HEAD

No.	Parts No.	Description
1	2341F	TAKE UP LEVER CAM
2	2342F	LOCATING SCREW
3	2343F	CRANK PIN
4	2344F	RETAINING PIN
5		SCREW FOR RETAINING PIN (SM3/16 32)
6		GRUB SCREW (M6×1)
7	2214F	FRONT ARM SHAFT BUSH
8		GRUB SCREW (SM15/64 28)
9	2211F	ARM SHAFT
10	2216F	ARM SHAFT CENTRE BUSH
11	2218F	COLLAR
12		GRUB SCREW (SM15/64 28)
13	2212F	HELICAL GEAR
14		GRUB SCREW (M6×1)
15	2213F	BEVEL GEAR (LARGE)
16		GRUB SCREW (SM1/4 40)
17	2215F	REAR BUSH
18	2219F	COLLAR
19		GRUB SCREW (SM15/64 28)
20	2245F	REAR LOCKING SCREW
21	2246F	BEVEL GEAR (SMALL)
22		GRUB SCREW (SM1/4 40)
23	2224F	VERTICAL SHAFT BUSH (UPPER)
24	2225F	VERTICAL SHAFT
25	2223F	BUSH
26	2247F	BEVEL GEAR (VERTICAL SHAFT)
27		GRUB SCREW (SM15/64 28)
28	2227F	GREASE COVER (RHS)
29	2228F	GREASE COVER (LHS)
30		SCREW (SM9/32 28)
31		SCREW (SM15/64 28)



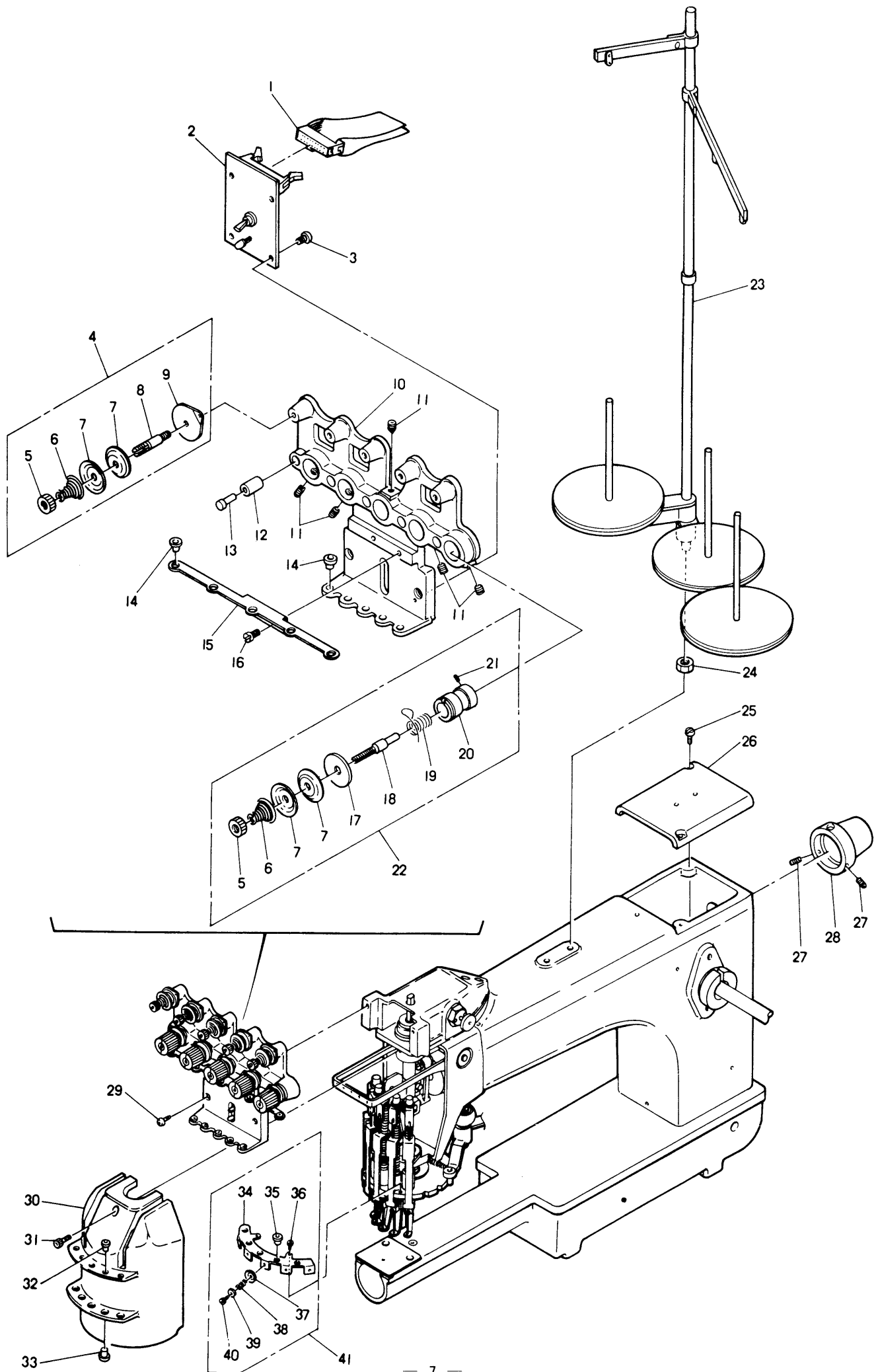
⑤-① NEEDLE BAR/TAKE UP LEVER MECHANISM

No.	Parts No.	Description
1	2303F	TAKE UP LEVER ASSY COMPLETE
2	2349F	TAKE UP LEVER
3	2353F	ROLLER
4		CIRCLIP
5	2354F	STUD
6		NUT (SM7/32 32)
7	2358F	CERAMIC THREAD GUIDE
8	2351F	TAKE UP LEVER SHAFT
9	2352F	TAKE UP SPINDLE BUSH
10	2355F	COLLAR
11		GRUB SCREW (SM1/4 40)
12	2361F	LOCK LEVER
13	2363F	THREADED STUD
14		PLATE WASHER
15		SOCKET SCREW (M5×0.8)
16		PLATE WASHER
17		NUT (M4×0.7)
18	2365F	LOCK LEVER BRACKET
19		PLATE WASHER
20		NUT (M8×1.25)
21		NUT (M10×1.5)
22		WASHER
23	3341A	LOCK BAR
24		GRUB SCREW (M5×0.8)
25	3339F	LOCK BAR HAND GRIP
26		BOLT (M4×0.7)
27	2364F	LOCK BAR POSITIONING CLAMP
28		SCREW (M2×0.4)
29	4511C	LIMIT SWITCH
30	5346A	LIMIT SWITCH BASE
31		NUT (M2×0.4)
32		BOLT (M4×0.7)
33	5347A	LIMIT SWITCH PLATE
34		NUT (M4×0.7)
35		BOLT (M4×0.7)



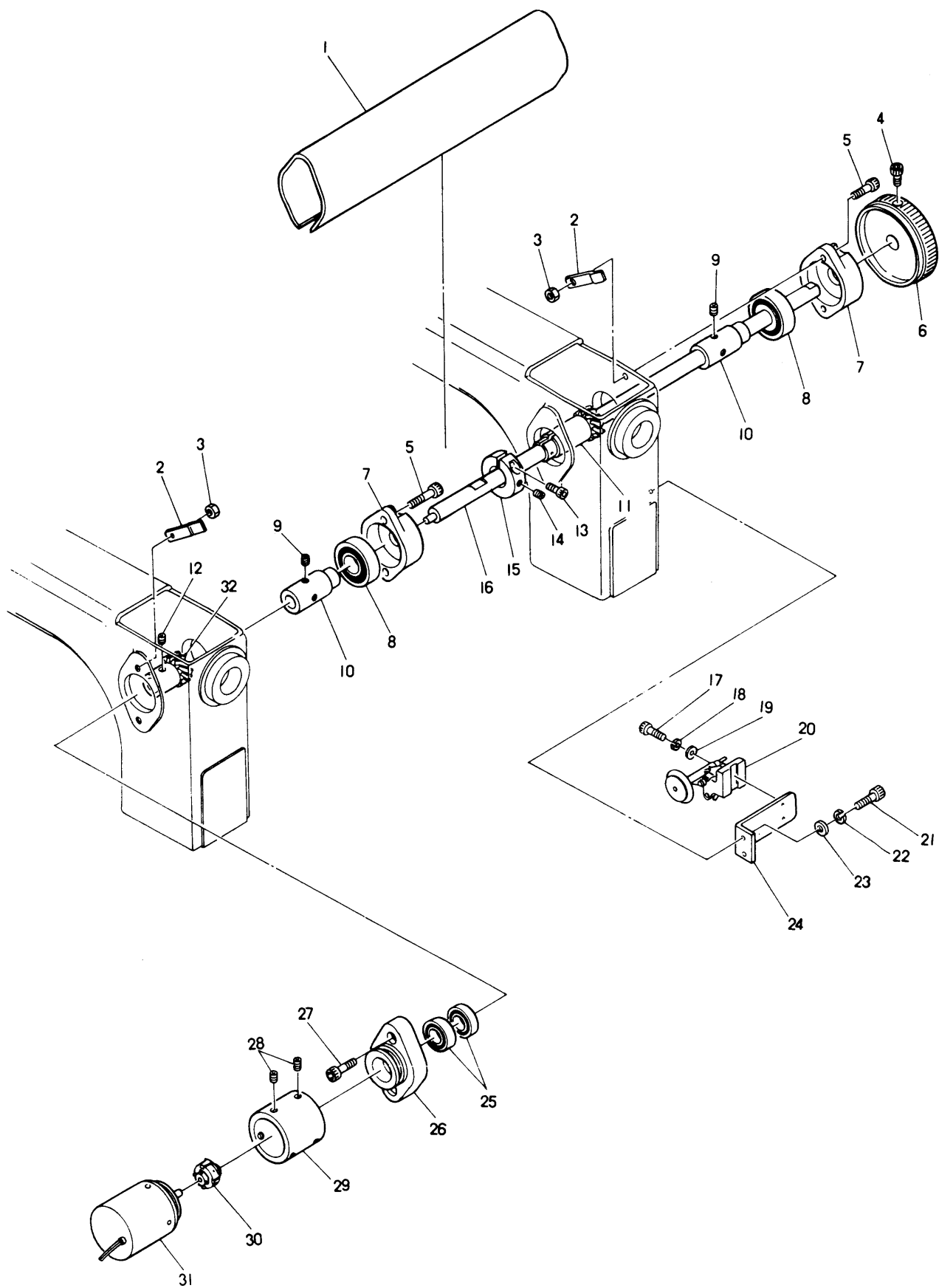
⑤-② NEEDLE BAR/TAKE UP LEVER MECHANISM

No.	Parts No.	Description
1	2301F	NEEDLE BAR ASSY
2	2302F	PRESSER FOOT
3	2321F	NEEDLE BAR SPRING (NARROW)
4	2318F	NEEDLE BAR SPRING (WIDE)
5	2313F	THREADED BUSH (TURRET ASSY)
6	2397F	HEXAGONAL NUT (M10×1.5)
7	2391F	NYLON WASHER (THIN)
8	2393F	NYLON BUSH (RUBBER O-RING)
9	2323F	NEEDLE CLAMP
10	2324F	NEEDLE CLAMP SCREW (SM9/64 40)
11	2325F	NEEDLE
12	2332F	UPPER BUSH
13	2331F	NEEDLE BAR DRIVER SHAFT
14	2334C	NEEDLE BAR DRIVER
15		SCREW (M4×0.7)
16	2346F	NEEDLE BAR CONNECTING LINK
17	2345F	SCREW FOR NEEDLE BAR CONNECTING LINK
18	2347F	NEEDLE BAR DRIVING FORK
19	2348F	NEEDLE SHAFT CLAMP
20		SCREW FOR NEEDLE SHAFT CLAMP (SM9/64 40)
21	2312F	THRUST RACE WASHER
22	91011	BEARING SPACER SSA-2015F
23	91123	THRUST RACE WASHER GS-1528
24	91121	THRUST RACE NTB-1528
25	91122	THRUST RACE WASHER AS-1528
26	2333F	BEARING SHAFT
27	2335F	TURRET POSITION BRACKET
28		ALAN SCREW FOR TURRET POSITION BRACKET
29		SPRING WASHER
30		PLATE WASHER
31	2336F	PIVOT CONNECTING STUD
32	91203	PIVOT COUPLING (RD 4-020-R/L)
33		NUT (M4×0.7)
34		PLATE WASHER
35	3338F	COLOUR CHANGE ROD HAND GRIP
36		GRUB SCREW (M5×0.8)
37		GRUB SCREW (M15/64 28)
38	2311A	NEEDLE BAR TURRET PLATE
39		NUT (M3×0.5)
40		BOLT (M4×0.7)
41		PLATE WASHER
42	5344A	BRACKET
43	5342A	PLATE FOR A7AS
44		SCREW (M3×0.5)
45	5343A	CONNECTOR (NRT-CD)
46	5341A	ROTARY SWITCH (A7AS-203)
47	3331A	ROD
48		ROD LOCKING NUT (M5×0.8)
49		SCREW (M4×0.7)
50	2392F	NYLON BUSH (RUBBER O-RING)



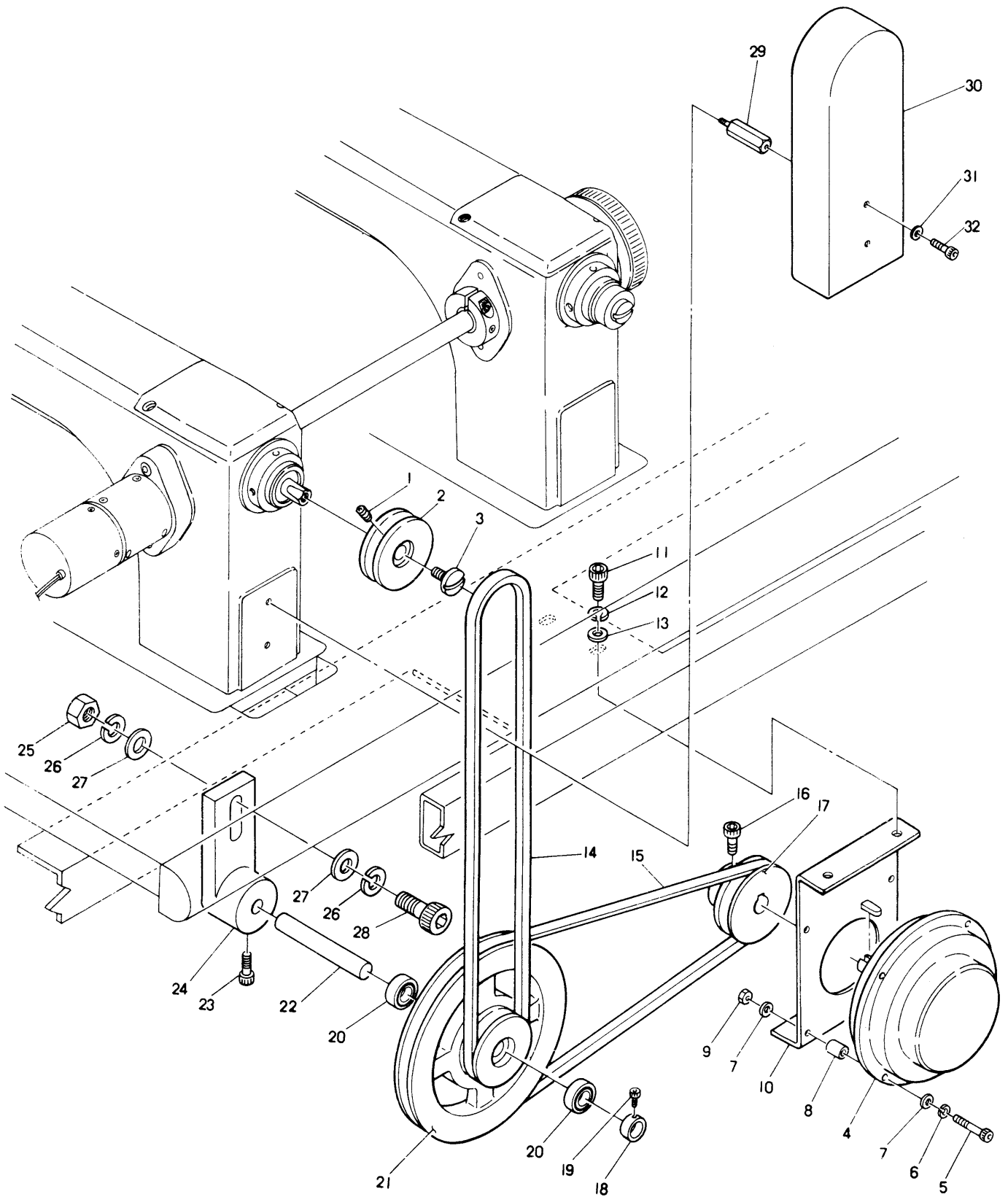
⑥ THREAD GUIDE MECHANISM

No.	Parts No.	Description
1	5141A	HEAD PCB CABLE
2	5118C	HEAD BREAK PCB
3		SCREW FOR THREAD BREAK PCB (M3×0.5)
4	2406F	UPPER TENSION UNIT COMPLETE
5	2471F	ADJUSTING NUT UPPER AND LOWER
6	2436H	THREAD TENSION SPRING
7	2425F	THREAD TENSION DISCS
8	2416F	THREAD TENSION POST (UPPER)
9	2422F	TENSION DISC PLASTIC INSULATOR (UPPER)
10	2411C	THREAD TENSION ASSY BRACKET
11		GRUB SCREW (M5×0.8)
12	2432F	INSULATOR
13	2431F	STOP MOTION CONTACT
14	2491F	THREAD GUIDE (CERAMIC)
15	2433F	TOP THREAD GUIDE BAR
16		SCREW (SM9/64 40)
17	2475F	TENSION DISC PLASTIC INSULATOR (LOWER)
18	2417F	THREAD TENSION POST (LOWER)
19	2481F	CHECK SPRING
20	2477F	TENSION SPRING HOLDER
21		GRUB SCREW (SM9/64 40)
22	2407F	LOWER TENSION UNIT COMPLETE
23	7101A	THREAD STAND
		SENER ROD
		SINGLE THREAD GUIDE
		TWIN THREAD GUIDE
		SINGLE CONE STAND
		TWIN CONE STAND
24		NUT (M8×1.25)
25		SCREW (SM3/16 28)
26	2516C	ARM SHAFT GEAR COVER
27		GRUB SCREW (M6×1)
28	2511F	REAR BEARING COVER
29		SCREW (M4×0.7)
30	2512F	SEWING HEAD COVER
31		ALAN SCREW (M5×0.8)
32	2492F	CERAMIC GUIDE (UPPER)
33	2493F	CERAMIC GUIDE (LOWER)
34	2521F	THREAD END TRAP BASE PLATE
35	2491F	THREAD GUIDE (CERAMIC)
36		SCREW FOR TRAP DISC (M3×0.5)
37	2522F	THREAD TRAP DISC
38	2524F	SPRING
39	2523F	WASHER
40	2525F	SCREW
41	2501F	THREAD END TRAP UNIT ASSY



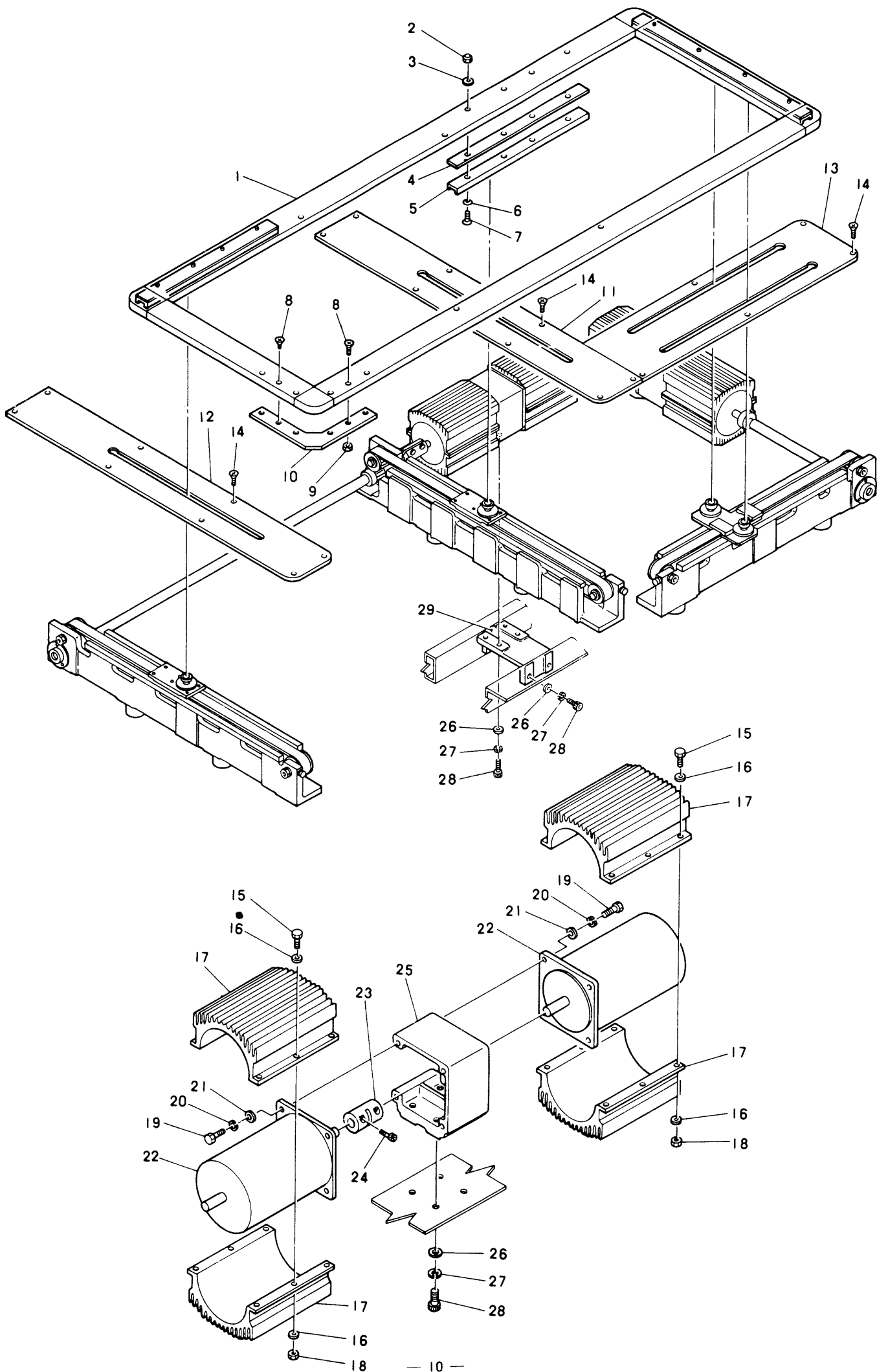
⑦ GANG SHAFT MECHANISM

No.	Parts No.	Description
1	3231C	SHAFT COVER
2	5199A	CABLE CLAMP
3		NUT (M6×1)
4		BOLT (M6×1)
5		BOLT (M6×1)
6	3259A	HAND GRIP
7	3225F	FLANGE
8	91002	BEARING 6204ZZ
9		GRUB SCREW (M6×1)
10	3226F	SHAFT COLLAR
11	3251F	HELICAL GEAR
12		GRUB SCREW (M6×1)
13		BOLT (M6×1)
14		GRUB SCREW (M6×1)
15	3252F	HELICAL GEAR CLAMP
16	3218A	CONNECTING SHAFT (BEAT-102. 300×300)
16'	3215A	CONNECTING SHAFT (BEAT-101)
16"	3219A	CONNECTING SHAFT (BEAT-102. 300×450)
17		BOLT (M6×1)
18		SPRING WASHER
19		PLATE WASHER
20	7136A	BOBBIN WINDER ASSY
21		BOLT (M5×0.8)
22		SPRING WASHER
23		PLATE WASHER
24	7137A	BOBBIN WINDER BRACKET
25	91007	BEARING 6002ZZ
26	5192C	POSITION CODER HOLDER
27		BOLT (M6×1)
28		GRUB SCREW (M4×0.7)
29	3182H	POSITION CODER COLLAR
30	5124C	CODER COUPLING
31	5121A	POSITION CODER



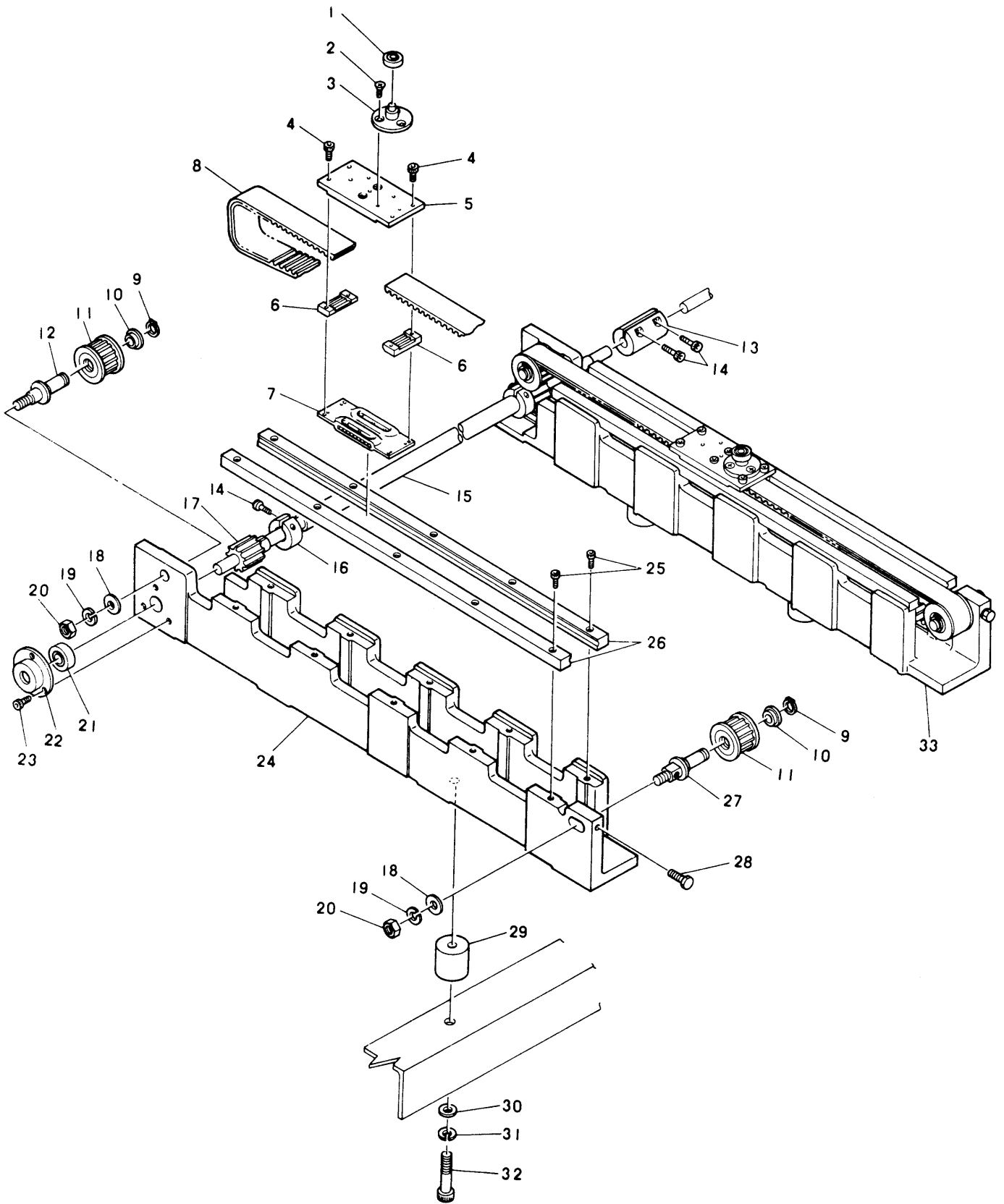
⑧ DRIVE MECHANISM

No.	Parts No.	Description
1	GRUB SCREW (M6×1)
2	2244APULLY
3	2245FREAR LOCKING SCREW
4	3113ADC MOTOR
5	BOLT (M5×0.8)
6	SPRING WASHER
7	PLATE WASHER
8	3415ASPACER
9	NUT (M5×0.8)
10	3411AMOTOR BASE
11	BOLT (M8×1.25)
12	SPRING WASHER
13	PLATE WASHER
14	92012V BELT (M38)
15	92011V BELT (M37)
16	BOLT (M6×1)
17	3131AMOTOR PULLY (A 2½)
18	3123HCOLLAR
19	BOLT (M6×1)
20	91003BEARING 6001ZZ
21	3125ADOUBLE GROOVED PULLY
22	3122AIDLE PULLY SHAFT
23	BOLT (M6×1)
24	3121AIDLE PULLY BASE
25	NUT (M12×1.75)
26	SPRING WASHER
27	PLATE WASHER
28	BOLT (M12×1.75)
29	31B6ABELT COVER STAY
30	31B5ABELT COVER
31	PLATE WASHER
32	BOLT (M5×0.8)



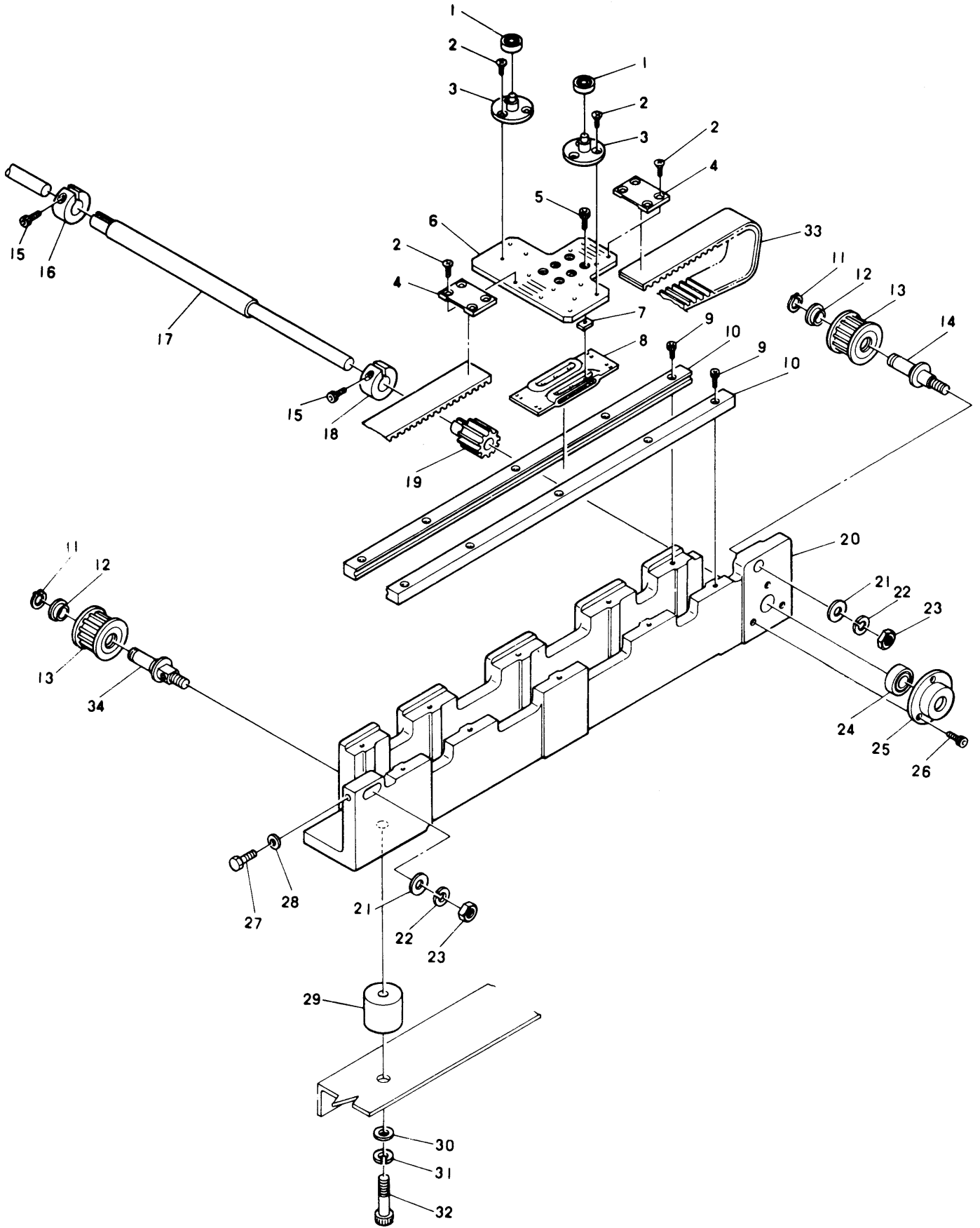
⑨-① PANTOGRAPH DRIVE MECHANISM

No.	Parts No.	Description
1	4509A	PANTOGRAPH ASSY (BEAT-102, 300×450)
	4510A	PANTOGRAPH ASSY (BEAT-101, 300×300)
	4520A	PANTOGRAPH ASSY (BEAT-102, 300×300)
	4559A	PANTOGRAPH ASSY (BEAT-101, 300×450)
2		NUT (M4×0.7)
3		PLATE WASHER
4	4851A	SPACER
5	4835A	RAIL (H)
	4836A	RAIL (V)
6		WASHER
7		SCREW (M4×0.7)
8		SCREW (M4×0.7)
9		NUT (M4×0.7)
10	4592A	CORNER PLATE
11	4814A	H RAIL COVER (R)
12	4815A	H RAIL COVER (L)
13	4816A	V RAIL COVER (300L)
	4818A	V RAIL COVER (450L)
14		SCREW (M4×0.7)
15		BOLT (M3×0.5)
16		PLATE WASHER
17	4712H	PULSE MOTOR COVER
18		NUT (M3×0.5)
19		BOLT (M5×0.8)
20		SPRING WASHER
21		PLATE WASHER
22	4711H	PULSE MOTOR
23	4717H	COUPLING
24		BOLT (M5×0.8)
25	4715A	PULSE MOTOR BRACKET
26		PLATE WASHER
27		SPRING WASHER
28		BOLT (M6×1)
29	4714A	PULSE MOTOR BASE



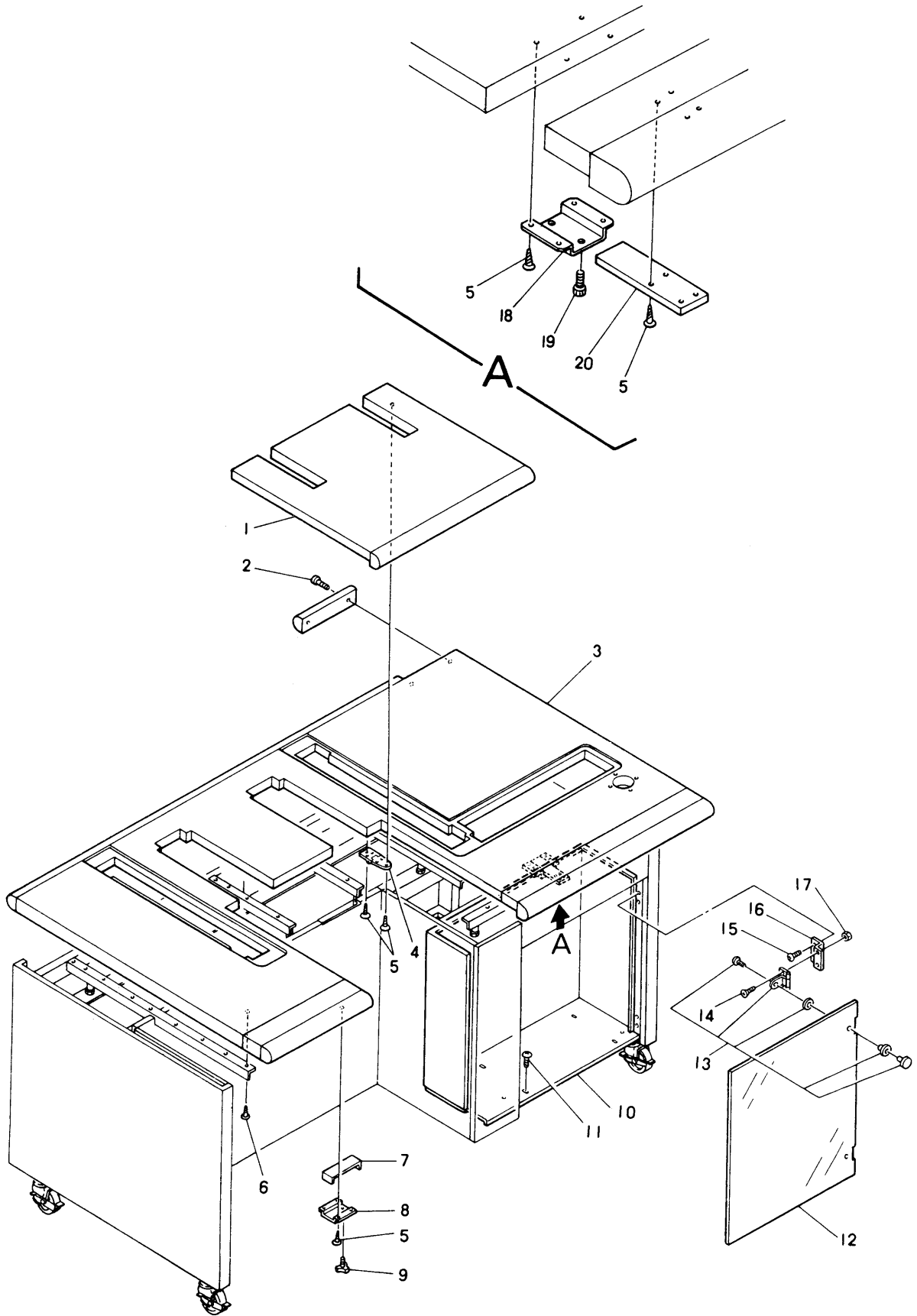
⑨-② PANTOGRAPH DRIVE MECHANISM (H DIRECTION)

No.	Parts No.	Description
1	91006	BEARING 625ZZ
2		SCREW (M4×0.7)
3	4826C	BEARING SHAFT
4		BOLT (M3×0.5)
5	4821C	H SLIDE PACK BASE
6	4765C	TIMING BELT RACK
7	4831H	SLIDE PACK (FBW3590)
8	4735A	TIMING BELT
9		RING
10	4841H	TIMING PULLY SHAFT BUSH
11	4754C	TIMING BELT PULLY
12	4844A	TIMING PULLY SHAFT (REAR)
13	4717H	COUPLING
	47E5A	CONNECTING SHAFT (H PULSE MOTOR)
14		BOLT (M5×0.8)
15	4781A	CONNECTING SHAFT (BEAT-101. 300×300)
	4782A	CONNECTING SHAFT (BEAT-102. 300×300)
	47E4A	CONNECTING SHAFT (BEAT-101. 300×450)
	47E6A	CONNECTING SHAFT (BEAT-102. 300×450)
16	4767C	CLAMPING COLLAR
17	4752H	TIMING BELT PULLY
18		PLATE WASHER
19		SPRING WASHER
20		NUT (M8×1.25)
21	91001	BEARING 6000ZZ
22	4779H	BEARING COVER
23		BOLT (M4×0.7)
24	4811A	H GUIDE RAIL BASE (L)
25		BOLT (M4×0.7)
26	4833C	GUIDE RAIL
27	4827C	TIMING PULLY SHAFT (FRONT)
28		BOLT (M4×0.7)
29	4849A	SPACER
30		PLATE WASHER
31		SPRING WASHER
32		BOLT (M8×1.25)
33	4811A	H GUIDE RAIL BASE (R)



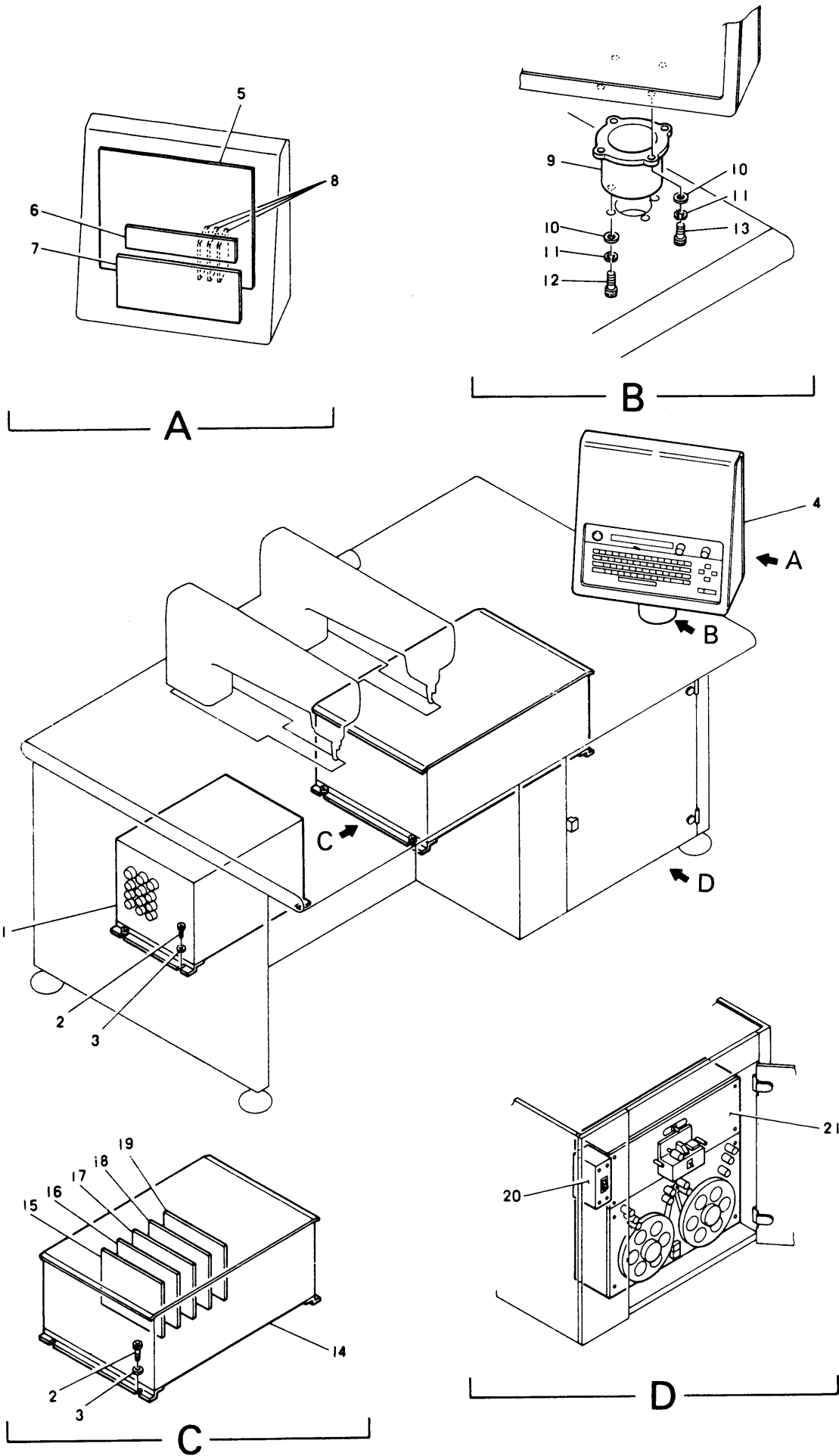
⑨-③ PANTOGRAPH DRIVE MECHANISM (V DIRECTION)

No.	Parts No.	Description
1	91006	BEARING 625ZZ
2		SCREW (M4×0.7)
3	4826C	BEARING SHAFT
4	4825C	BUCKLE (TIMING BELT)
5		BOLT (M3×0.5)
6	4823C	V SLIDE PACK BASE
7	4838C	SPACER FOR FBW3590
8	4831H	SLIDE PACK (FBW3590)
9		BOLT (M4×0.7)
10	4833C	GUIDE RAIL
11		RING
12	4841H	TIMING PULLY SHAFT BUSH
13	4754C	TIMING BELT PULLY
14	4844A	TIMING PULLY SHAFT (REAR)
15		BOLT (M5×0.8)
16	4718H	CLAMPING COLLAR
17	4783A	CONNECTING SHAFT (V PULSE MOTOR)
18	4767C	CLAMPING COLLAR
19	4752H	TIMING BELT PULLY
20	4812A	V GUIDE RAIL BASE (300L)
	4822A	V GUIDE RAIL BASE (450L)
21		PLATE WASHER
22		SPRING WASHER
23		NUT (M8×1.25)
24	91001	BEARING 6000ZZ
25	4779H	BEARING COVER
26		BOLT (M4×0.7)
27		BOLT (M4×0.7)
28		PLATE WASHER
29	4849A	SPACER
30		PLATE WASHER
31		SPRING WASHER
32		BOLT (M8×1.25)
33	4736A	TIMING BELT
34	4827C	TIMING PULLY SHAFT (FRONT)



⑩ TABLE AND TAPE HANDLER BOX

No.	Parts No.	Description
1	1216A	CENTER TABLE (BEAT-102, 300×300)
	1217A	CENTER TABLE (BEAT-101, 300×300)
	1218A	CENTER TABLE (BEAT-102, 300×450)
	1219A	CENTER TABLE (BEAT-101, 300×450)
2		SCREW (M6×1)
3	1216A	TABLE (BEAT-102, 300×300)
	1217A	TABLE (BEAT-101, 300×300)
	1218A	TABLE (BEAT-102, 300×450)
	1219A	TABLE (BEAT-101, 300×450)
4	91225	HINGE (B-31)
5		SCREW
6		SCREW
7	1431A	SUPPORT PLATE (CENTER TABLE)
8	1432A	SUPPORT PLATE BRACKET
9	91232	BOLT (M8×1.25)
10	7145A	BOX FOR TAPE HANDLER
11		SCREW (M6×1)
12	7148A	BOX COVER 56.5×48 (BEAT 300×300)
	7148A	BOX COVER 52×48 (BEAT 300×450)
13	7143A	HINGE
14		SCREW (M3×0.5)
15		SCREW (M4×0.7)
16	7149A	BRACKET
17		NUT (M3×0.5)
18	1438A	SUPPORT PLATE BRACKET
19		BOLT (M6×1)
20	1462A	SUPPORT PLATE



⑪ CONTROL SYSTEM

No.	Parts No.	Description
1	5210A	TRANSFORMER
2		BOLT (M5×0.8)
3		PLATE WASHER
4	5110A	CONTROLLER (AUTOMAT)
5		CONTROLLER BOARD (87001201)
6		CRYSTAL LIQUID INDICATOR
7		KEY BOARD (87001301)
8		MEMORY BOARD (87001401)
9	5191A	BASE (CONTROLLER)
10		PLATE WASHER
11		SPRING WASHER
12		BOLT (M8×1.25)
13		BOLT (M8×1.25)
14	5120A	DRIVER BOX
15		POWER SUPPLY BOARD (86862201)
16		DRIVER INTERFACE BOARD (86862301)
17		DRIVER BOARD (V/H) (86862501)
18		DRIVER BOARD (V/H) (86862501)
19		POWER INTERFACE BOARD (86862401)
20		MAIN SWITCH (BRAKER)
21	5220A	TAPE HANDLER

